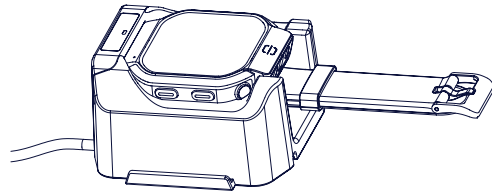


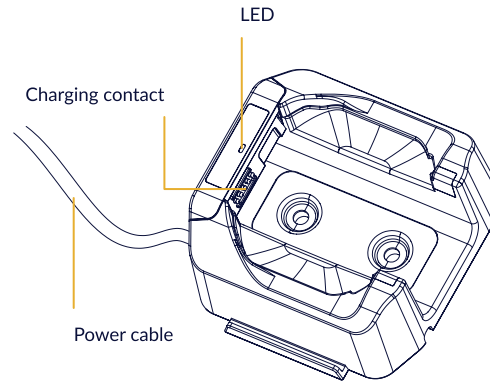


BSR idware GmbH
 Jakob-Haringer-Str.3
 A-5020 Salzburg
<https://www.bsr.at>
sales@bsr.at

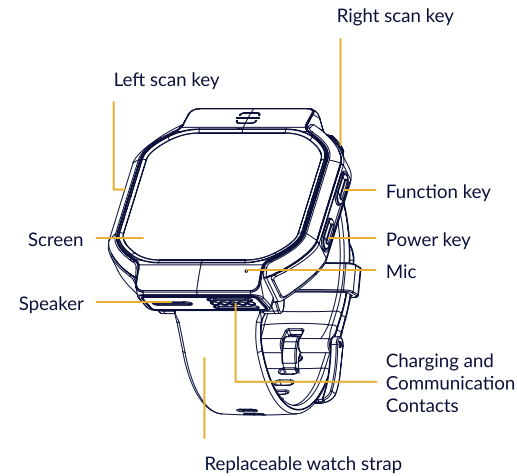


Before your first use, please make sure the power is fully charged via the included charging cradle.

1



2



5

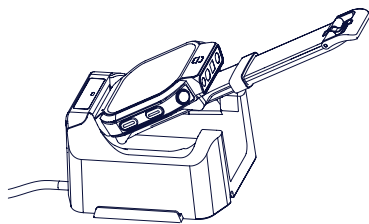
- 1 Do not charge the device in a hot or humid environment. The low environmental temperature will affect charging efficiency.
- 2 The terminal contains a built-in battery. Please do not try to replace it yourself to avoid damage.
- 3 Do not use the terminal's wireless functionalities where wireless device use is prohibited or where it may cause interference or danger, such as in mines or gas stations.
- 4 Use only a dry, soft cloth to clean the terminal. Cleaning with a wet cloth or benzene/thinner/other volatile chemicals may deform and shorten the service life of the keypad and shell of the terminal.
- 5 The environment temperature should not be too low or high during use. This could cause malfunction. Please use the terminal under the permitted temperature.
- 6 If the terminal is damaged due to a drop from a high place or water, please contact the service center. Do not try to repair it yourself.
- 7 Please charge the device in an environment above 0 degrees Celsius (32 degrees Fahrenheit).

6

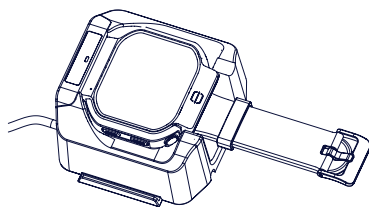
Connect to the cradle

Quick settings

Support information



Step 1: Place the smartwatch on the charging cradle as shown in the figure.



Step 2: Ensure the cradle is securely connected to a power source. When the connection is successfully established, the red LED will turn on.

3

Power key

- 1 When the terminal is powered off, hold down the power key for 3 seconds to switch the terminal on.
- 2 When the terminal is powered on, briefly press the power key to lock the screen.

User-defined key

- 1 The user-defined key will be set as "Home Key" by default.
- 2 To reset the user-defined key: go to "Quick Setting" > "Key Map", then set the parameters per your needs.

Touch the screen

- 1 Back to previous page: swipe inward from the left or right edge of the screen.
- 2 Back to the desktop: swipe the screen from bottom to top.
- 3 Switch to new task: swipe the screen from bottom to top, then hold on until the recently used apps display.

4

NLS-WD5-ISW

Name: WD5 Industrial Smartwatch
 Manufacturer: Newland EMEA
 All technical information are subject to the actual performance, Newland reserve the right of final explanations.

Newland Europe BV
 Rolweg 25
 4104 AV Culemborg
 The Netherlands

For more information and technical support, please visit newland-id.com/contact



QSG PN: 1060091376

7



WD5
 Industrial Smartwatch

