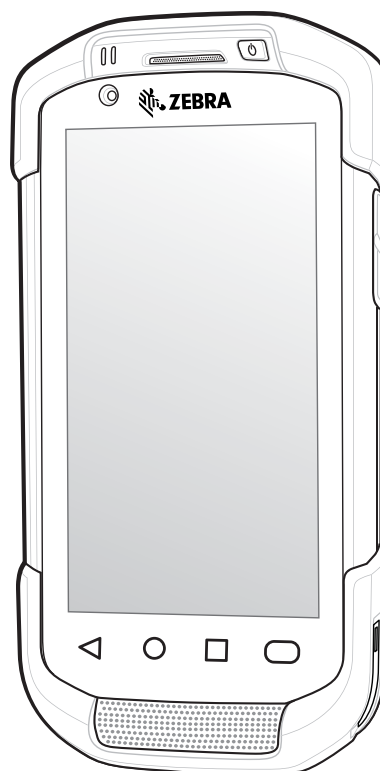




TC70x/TC75x



Touch Computer

Quick Start Guide



No part of this publication may be reproduced or used in any form, or by any electrical or mechanical means, without permission in writing. This includes electronic or mechanical means, such as photocopying, recording, or information storage and retrieval systems. The material in this manual is subject to change without notice.

The software is provided strictly on an “as is” basis. All software, including firmware, furnished to the user is on a licensed basis. We grant to the user a non-transferable and non-exclusive license to use each software or firmware program delivered hereunder (licensed program). Except as noted below, such license may not be assigned, sublicensed, or otherwise transferred by the user without prior written consent. No right to copy a licensed program in whole or in part is granted, except as permitted under copyright law. The user shall not modify, merge, or incorporate any form or portion of a licensed program with other program material, create a derivative work from a licensed program, or use a licensed program in a network without written permission. The user agrees to maintain copyright notice on the licensed programs delivered hereunder, and to include the same on any authorized copies it makes, in whole or in part. The user agrees not to decompile, disassemble, decode, or reverse engineer any licensed program delivered to the user or any portion thereof.

We reserve the right to make changes to any software or product to improve reliability, function, or design.

We do not assume any product liability arising out of, or in connection with, the application or use of any product, circuit, or application described herein.

No license is granted, either expressly or by implication, estoppel, or otherwise under any of our intellectual property rights. An implied license only exists for equipment, circuits, and subsystems contained in our products.

Warranty

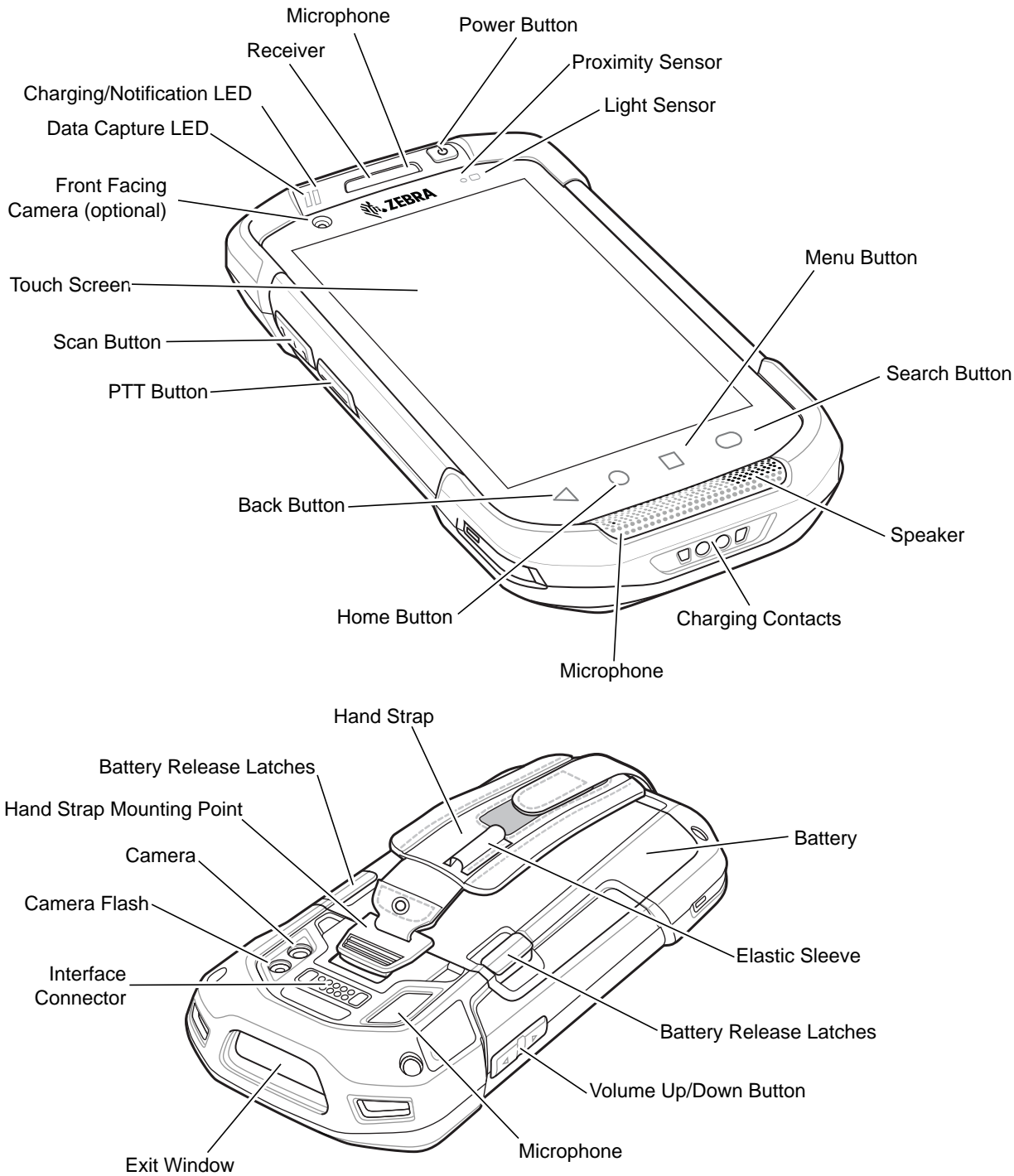
For the complete Zebra hardware product warranty statement, go to: www.zebra.com/warranty.

Service Information

If you have a problem using the equipment, contact your facility’s Technical or Systems Support. If there is a problem with the equipment, they will contact the Zebra Support at: <http://www.zebra.com/support>.

For the latest version of this guide go to: www.zebra.com/support.

Features



Installing the SIM Card



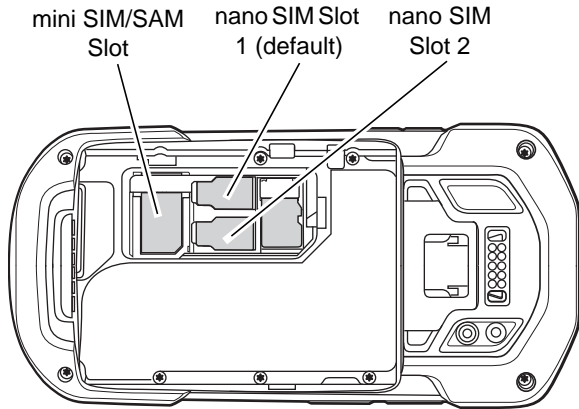
NOTE A SIM card is only required on the TC75x.



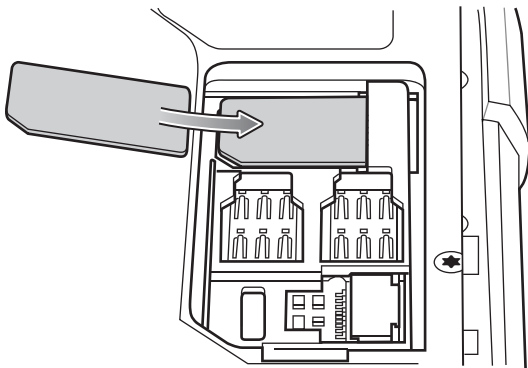
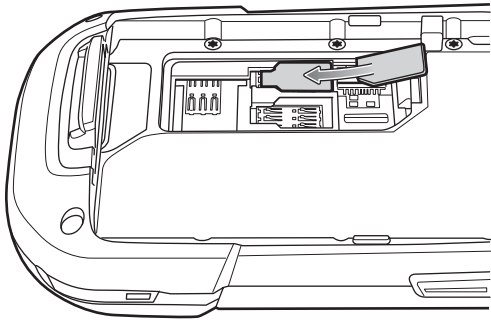
CAUTION For proper electrostatic discharge (ESD) precautions to avoid damaging the SIM card. Proper ESD precautions include, but not limited to, working on an ESD mat and ensuring that the user is properly grounded.

- ✓ **NOTE** The TC75x may contain one mini SIM slot and two nano SIM slots. If using a micro SIM card, a third-party SIM adapter is required. By default, use a nano SIM card in slot 1.

1. Remove access cover.



2. Insert a SIM card into the SIM slot with the cut edge toward the middle of the device and the contacts facing down.



3. Ensure that the SIM card is seated properly.

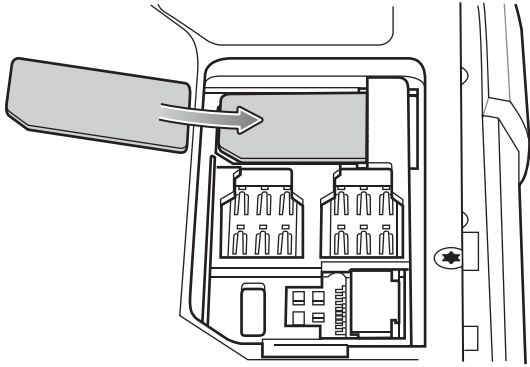
Installing the SAM Card

- ⚠ **CAUTION** For proper electrostatic discharge (ESD) precautions to avoid damaging the Secure Access Module (SAM) card. Proper ESD precautions include, but not limited to, working on an ESD mat and ensuring that the user is properly grounded.

- ✓ **NOTE** The device contains one slot for a mini SAM card. If using a micro SAM card, a third-party adapter is required. When using a SAM card, only a nano SIM card can be used.

1. Remove access cover.

2. Insert a SAM card into the SAM slot with the cut edge toward the middle of the device and the contacts facing down.



3. Ensure that the SAM card is seated properly.

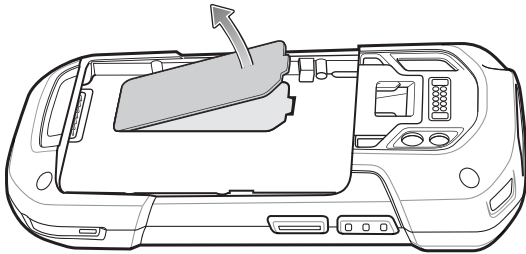
Installing a microSD Card

The microSD card slot provides secondary non-volatile storage. The slot is located under the battery pack. Refer to the documentation provided with the card for more information, and follow the manufacturer's recommendations for use.

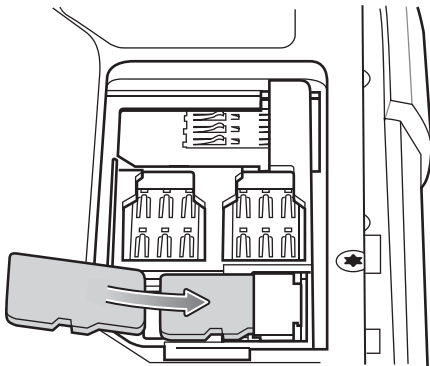


CAUTION Follow proper electrostatic discharge (ESD) precautions to avoid damaging the microSD card. Proper ESD precautions include, but are not limited to, working on an ESD mat and ensuring that the operator is properly grounded.

1. Remove the hand strap, if installed.
2. Lift the access door.



3. Insert the microSD card into the card holder door ensuring that the card slides into the holding tabs on each side of the door.



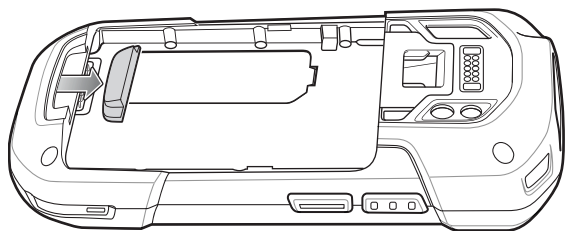
4. Re-install the access door.

Installing the Hand Strap and Battery

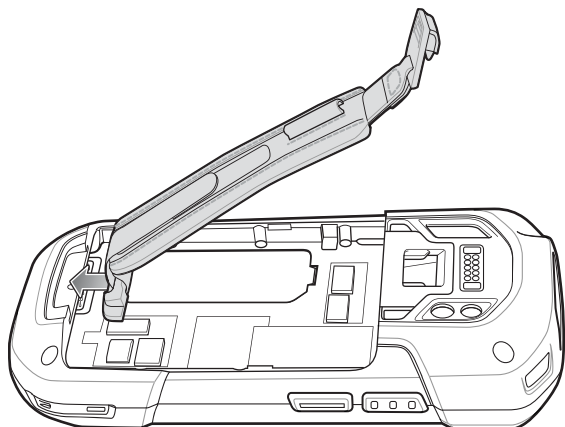


NOTE Installation of the hand strap is optional. Skip this section if not installing the hand strap.

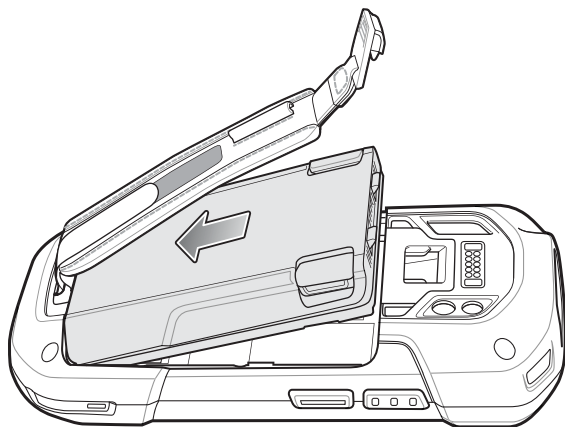
1. Remove the hand strap filler from the hand strap slot. Store the hand strap filler in a safe place for future replacement.



2. Insert the hand strap plate into the hand strap slot.

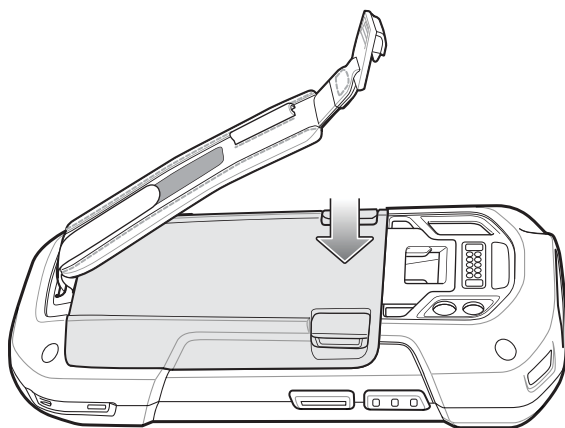


3. Insert the battery, bottom first, into the battery compartment in the back of the device.

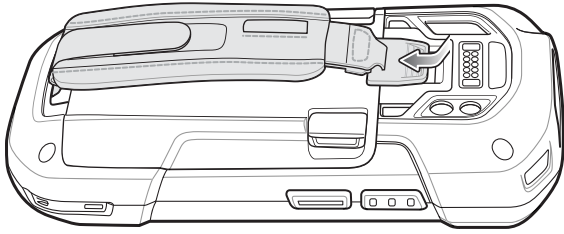


4. Rotate the top of the battery into the battery compartment.

5. Press the battery down into the battery compartment until the battery release latches snap into place.

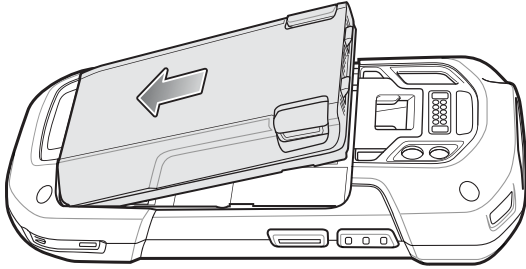


6. Place hand strap clip into hand strap mounting slot and pull down until it snaps into place.

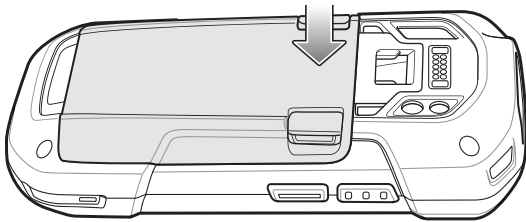


Installing the Battery

1. Insert the battery, bottom first, into the battery compartment in the back of the device.



2. Rotate the top of the battery into the battery compartment.
3. Press the battery down into the battery compartment until the battery release latches snap into place.



Charging the Device

Use one of the following accessories to charge the device and/or spare battery.

Table 1 *Charging and Communication*

Description	Part Number	Charging		Communication	
		Battery (In Device)	Spare Battery	USB	Ethernet
2-Slot Charge Only Cradle	CRD-TC7X-SE2CPP-01	Yes	Yes	Yes	No
2-Slot USB/Ethernet Cradle	CRD-TC7X-SE2EPP-01	Yes	Yes	Yes	Yes
5-Slot Charge Only Cradle	CRD-TC7X-SE5C1-01	Yes	No	No	No
4-Slot Charge Only Cradle with Battery Charger	CRD-TC7X-SE5KPP-01	Yes	Yes	No	No
5-Slot Ethernet Cradle	CRD-TC7X-SE5EU1-01	Yes	No	No	Yes
4-Slot Spare Battery Charger	SAC-TC7X-4BTYPP-01	No	Yes	No	No
Snap-On USB Cable	CBL-TC7X-CBL1-01	Yes	No	Yes	No
Charging Cable Cup	CHG-TC7X-CLA1-01	Yes	No	Yes	No

Charging the TC70x/TC75x

✓ **NOTE** Ensure that you follow the guidelines for battery safety described in the *TC70x/75x User Guide*.

1. Insert the TC70x/TC75x into the charging slot or connect the USB Charge cable to the TC70x/TC75x.
2. Ensure the TC70x/TC75x is seated properly.

The Notification/Charge LED lights amber while charging, then turns solid green when fully charged. See [Table 2](#) for charging indicators.

The 4,620 mAh battery fully charges in less than five hours at room temperature.

Table 2 Charging/Notification LED Charging Indicators

State	Indication
Off	The device is not charging. The device is not inserted correctly in the cradle or connected to a power source. Charger/cradle is not powered.
Slow Blinking Amber (1 blink every 4 seconds)	The device is charging.
Solid Green	Charging complete.
Fast Blinking Amber (2 blinks/second)	Charging error, e.g.: <ul style="list-style-type: none"> • Temperature is too low or too high. • Charging has gone on too long without completion (typically eight hours).
Slow Blinking Red (1 blink every 4 seconds)	The device is charging but the battery is at end of useful life.
Solid Red	Charging complete but the battery is at end of useful life.
Fast Blinking Red (2 blinks/second)	Charging error but the battery is at end of useful life., e.g.: <ul style="list-style-type: none"> • Temperature is too low or too high. • Charging has gone on too long without completion (typically eight hours).

Charging the Spare Battery

1. Insert a spare battery into the spare battery slot.
2. Ensure the battery is seated properly.

The Spare Battery Charging LED blinks indicating charging. See [Table 3](#) for charging indicators.

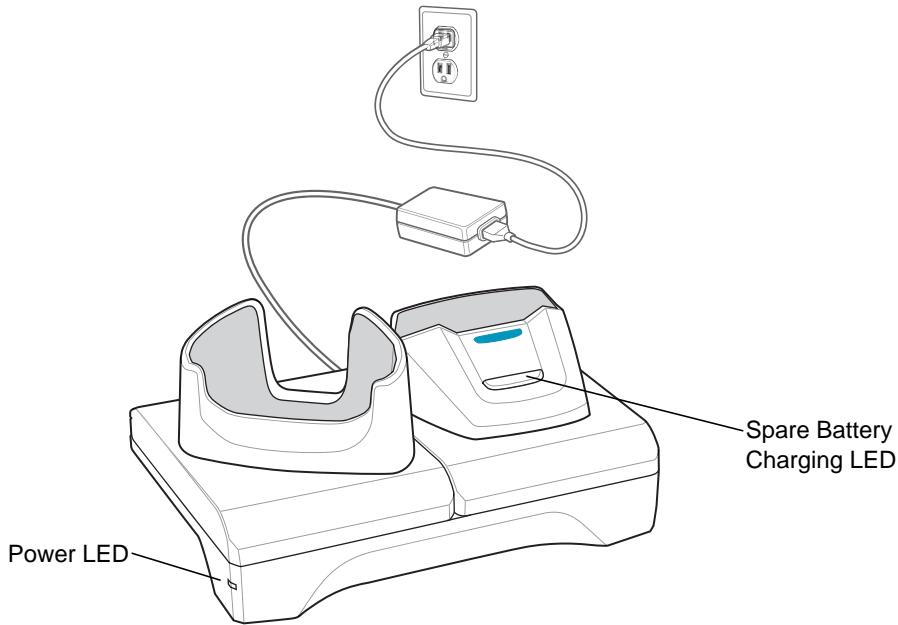
The 4,620 mAh battery fully charges in less than five hours at room temperature.

Table 3 Spare Battery Charging LED Indicators

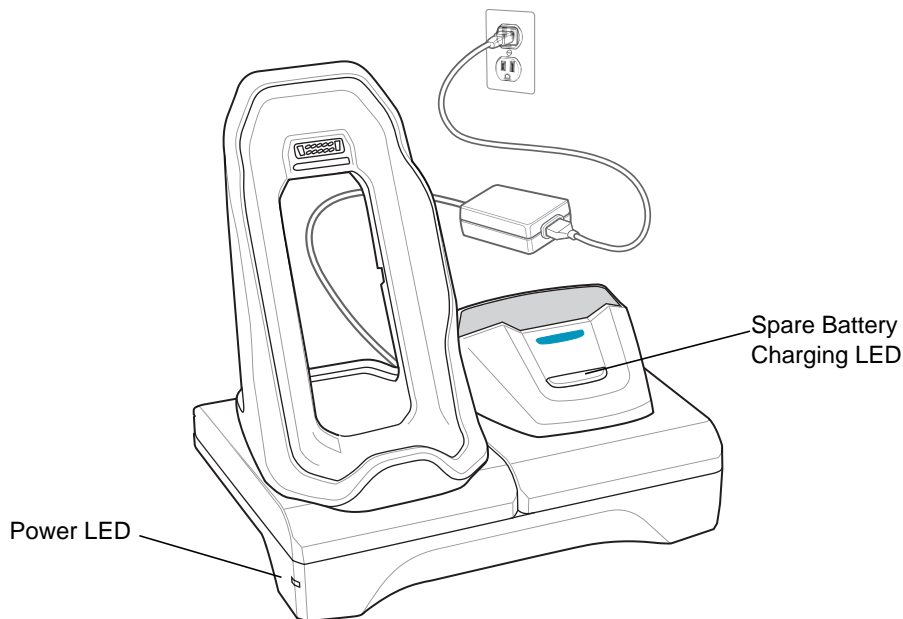
State	Indication
Off	The battery is not charging. The battery is not inserted correctly in the cradle or connected to a power source. Cradle is not powered.
Solid Amber	Battery is charging.
Solid Green	Battery charging is complete.
Fast Blinking Red (2 blinks/second)	Charging error, e.g.: <ul style="list-style-type: none"> - Temperature is too low or too high. - Charging has gone on too long without completion (typically eight hours).
Solid Red	Unhealthy battery is charging or fully charged.

Charge batteries in temperatures from 0°C to 40°C (32°F to 104°F). The device or cradle always performs battery charging in a safe and intelligent manner. At higher temperatures (e.g. approximately +37°C (+98°F)) the device or cradle may for small periods of time alternately enable and disable battery charging to keep the battery at acceptable temperatures. The device and cradle indicates when charging is disabled due to abnormal temperatures via its LED.

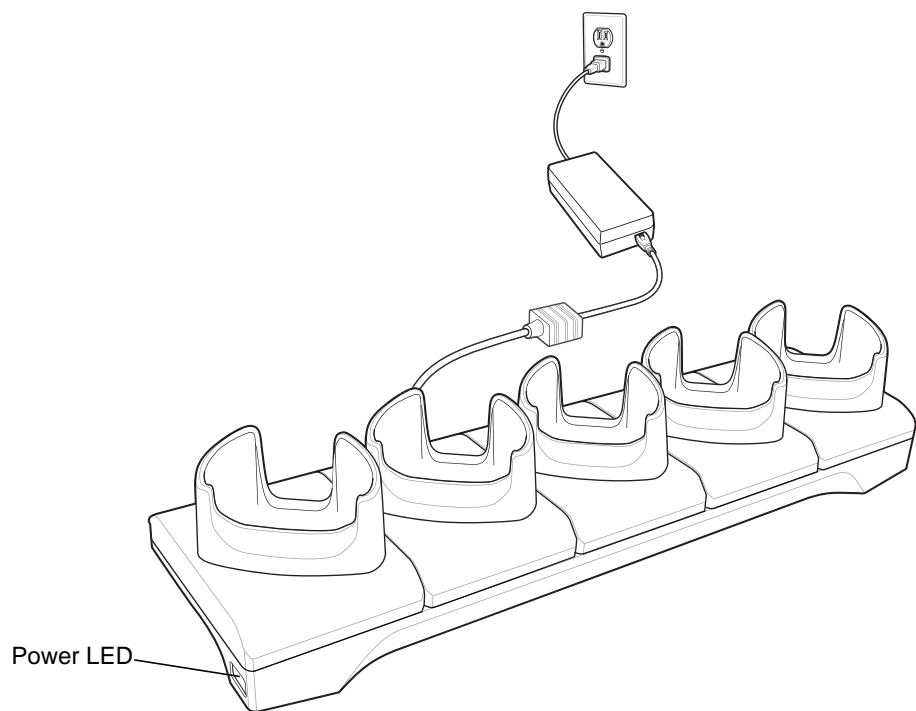
2-Slot Charging Only Cradle



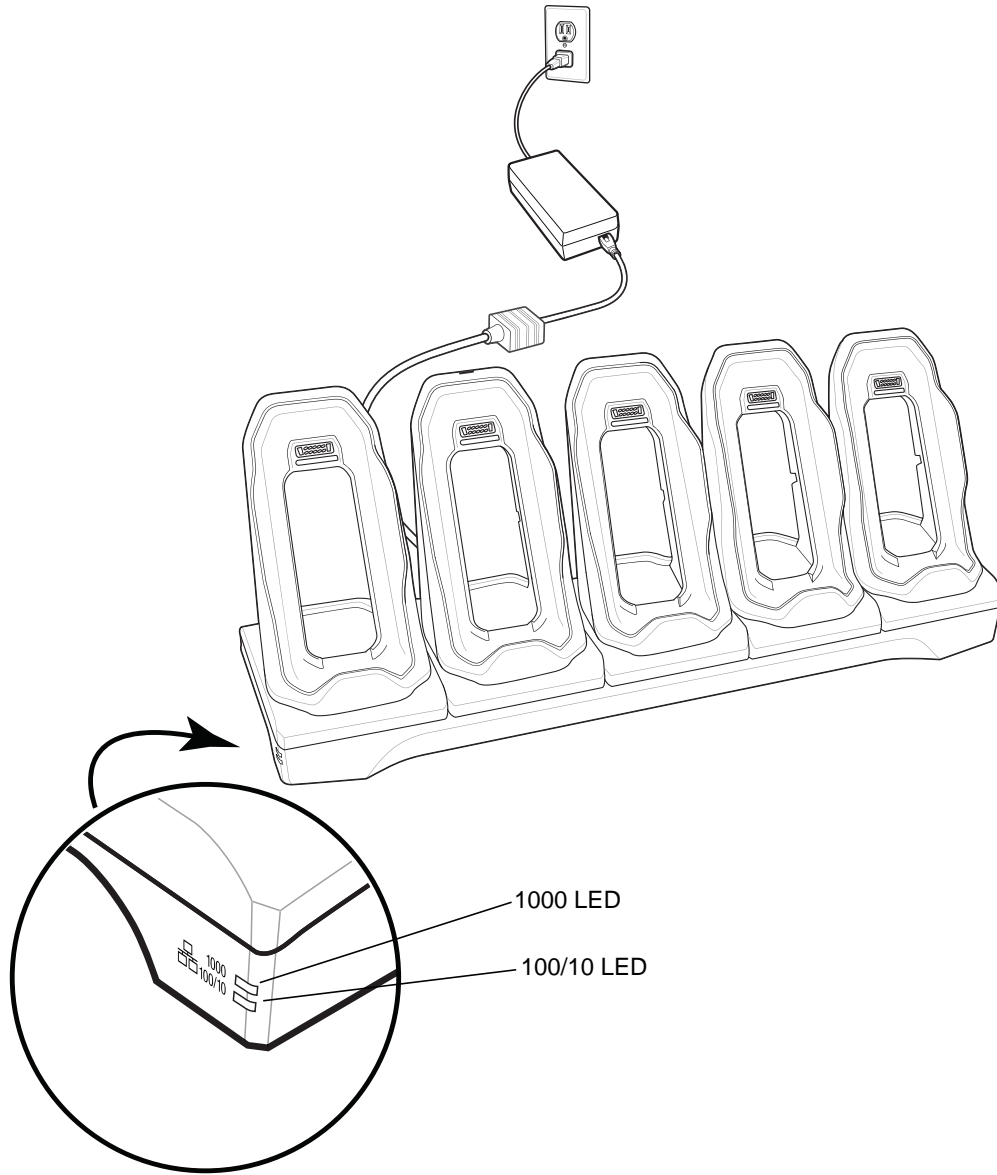
2-Slot USB/Ethernet Cradle



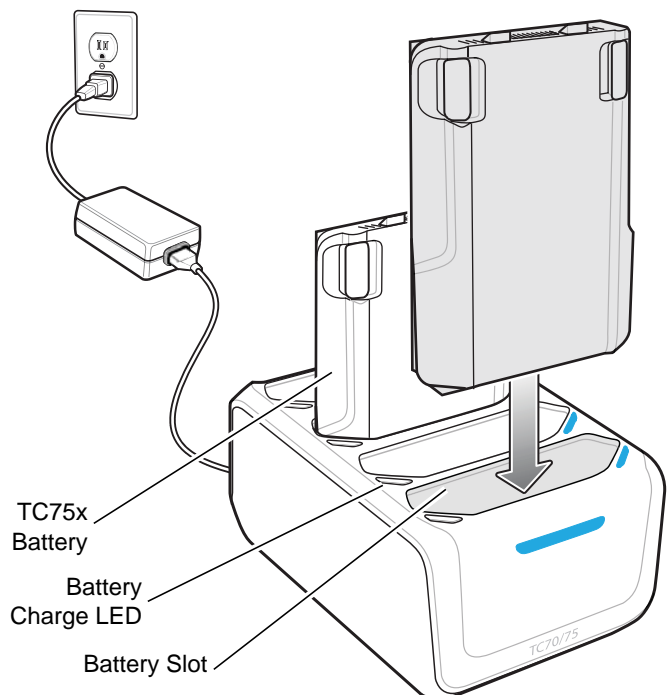
5-Slot Charge Only Cradle



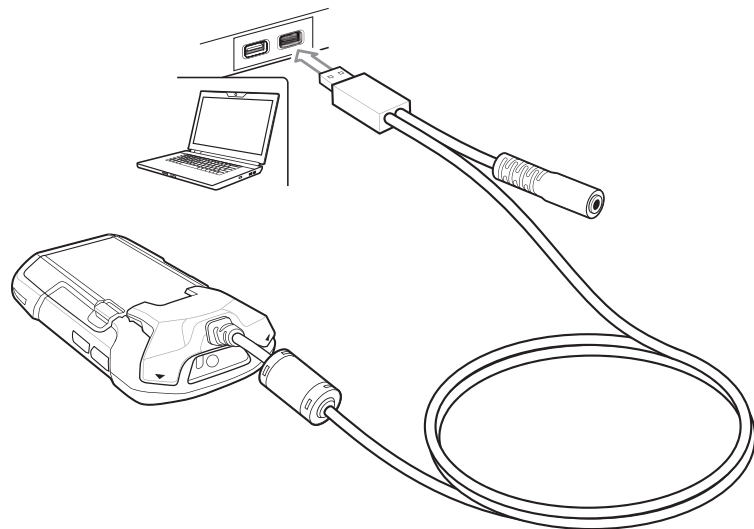
5-Slot Ethernet Cradle



4-Slot Battery Charger



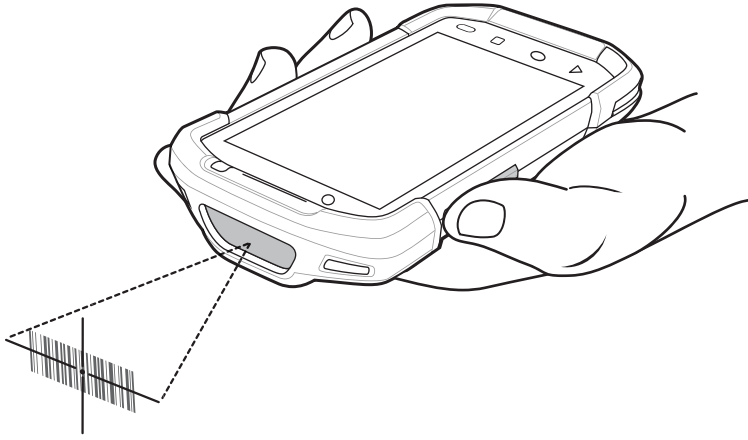
Snap-On USB Cable



Imager Scanning

To read a bar code, a scan-enabled application is required. The device contains the DataWedge application that allows the user to enable the imager, decode the bar code data and display the bar code content.

1. Ensure that an application is open on the device and a text field is in focus (text cursor in text field).
2. Point the exit window on the top of the device at a bar code.



3. Press and hold the scan button.
The red laser aiming pattern turns on to assist in aiming.



NOTE When the device is in Picklist mode, the imager does not decode the bar code until the crosshair or aiming dot touches the bar code.

4. Ensure the bar code is within the area formed by the crosshairs in the aiming pattern. The aiming dot is used for increased visibility in bright lighting conditions.



5. The Data Capture LED lights green and a beep sounds, by default, to indicate the bar code was decoded successfully.
6. Release the scan button.



NOTE Imager decoding usually occurs instantaneously. The device repeats the steps required to take a digital picture (image) of a poor or difficult bar code as long as the scan button remains pressed.

7. The bar code content data displays in the text field.



Zebra Technologies Corporation

3 Overlook Point

Lincolnshire, Illinois 60069 USA

<http://www.zebra.com>

Zebra and the stylized Zebra head are trademarks of ZIH Corp., registered in many jurisdictions worldwide. All other trademarks are the property of their respective owners.

© 2017 Symbol Technologies LLC, a subsidiary of Zebra Technologies Corporation. All Rights Reserved.

